

# Series SWMV

## Motor type 402 826

Design Data	
Commutation	brushed
Direction of rotation	bidirectional
Bearing Type	A:Ball - B:Sleeve

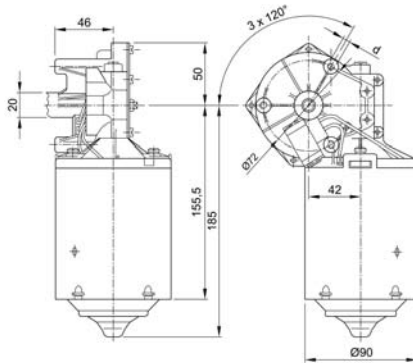
Performance data		
Nominal Voltage [V]	$U_N$	12
Nominal Torque [Nm]	$M_N$	6,00
Nominal Speed [ $\text{min}^{-1}$ ]	$n_N$	47,2
Nominal Power [W]	$P_N$	29,7
Nominal current [A]	$I_N$	6,0
Nominal force [kN]	$F_N$	0,00
Duty cycle		s1

Sensor data	
Pulses	0
Output channels	0

Other data	
Gear ratio	59/1
Gear wheel material	Resinbonded fabric
Suppression components	
Enclosure class	IP 20
Weight [kg]	2,900

Remarks:  
d = M6x16mm

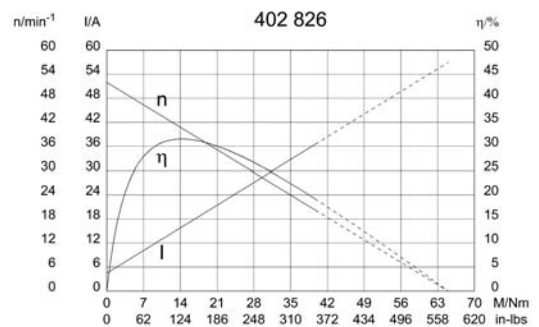
### 0291 AL



### Motor picture

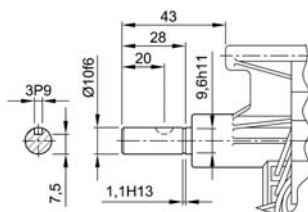


### Characteristic Curves

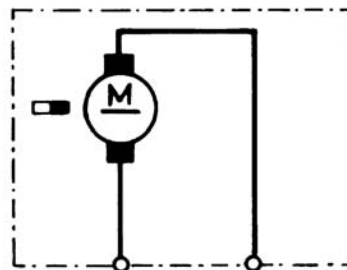


### Output shaft drawing (W), Wiring diagrams (S) and Connector layout (K)

#### W 278



#### S 28



#### K 243

