

Series DCK31

Motor type 404 961

Design Data	
Commutation	brushed
Direction of rotation	bidirectional
Bearing Type	A:Ball - B:Sleeve

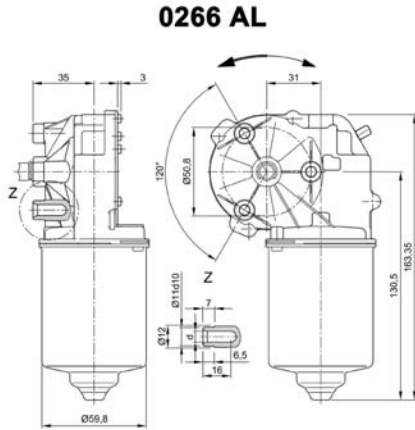
Performance data		
Nominal Voltage [V]	U_N	24
Nominal Torque [Nm]	M_N	2,00
Nominal Speed [min^{-1}]	n_N	147,692
Nominal Power [W]	P_N	30,9
Nominal current [A]	I_N	4,0
Nominal force [kN]	F_N	0,00
Duty cycle	s1	

Sensor data	
Pulses	1
Output channels	2

Other data	
Gear ratio	53:2
Gear wheel material	plastic
Suppression components	$6\mu\text{H}, 1\text{nF}$
Enclosure class	IP 30
Weight [kg]	0,000

Remarks:
d= für gewindeformende Schraube M6 DIN ISO 965-2

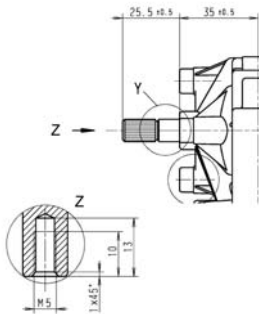
Characteristic Curves



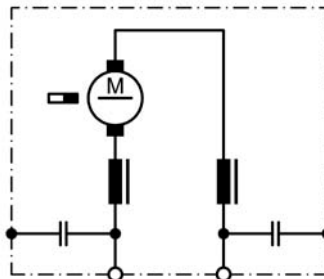
Motor picture



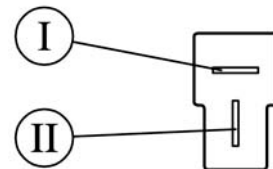
Output shaft drawing (W), Wiring diagrams (S) and Connector layout (K)



S 30



K 320



I serration (rolled)
no of teeth 28, pitch circle dia 9 mm, tip circle dia 9,6 mm, root circle dia 8,26 mm space width angle 60°